

Fixing of polystomatid parasites

Examine urinary bladder of frogs and bladder, mouth and eyes of freshwater turtles.

Fix first 3 parasites flat in 10% formalin (A) and thereafter 10% of parasites in 96% ethanol (B).

For any questions and further information, contact:

Prof. Louis du Preez, Zoology, School of Environmental Sciences and Development, North-West University, Potchefstroom 2520, South Africa.

drklhdp@puk.ac.za Phone & Fax: xx 27 18 299 2372

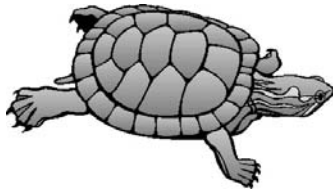
FOR FLAT FIXING IN FORMALIN

If possible use 10% neutral buffered formalin.

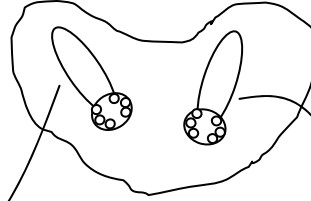
- A1** Transfer to microscope slide using fine brush.
- A2** Put drop of formalin on coverslip and place on parasite.
- A3** Place in Petri dish and leave for 1 hour.
- A4** Add drop of formalin on edge of coverslip to loosen it.
- A5** Carefully remove coverslip.
- A6** Transfer parasite to container with formalin.
- A7** Add label (host details, locality, date, collector, fixative)



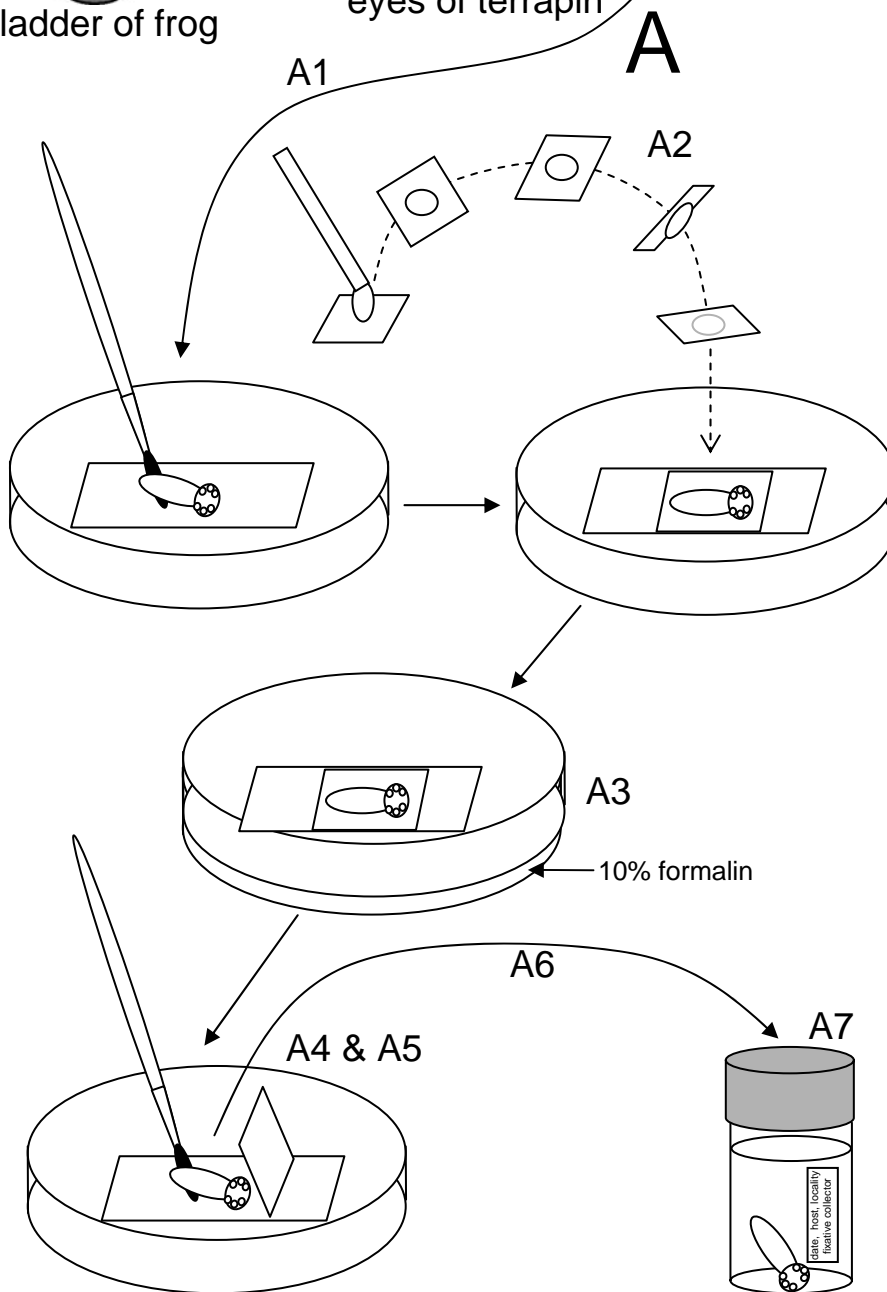
Bladder of frog



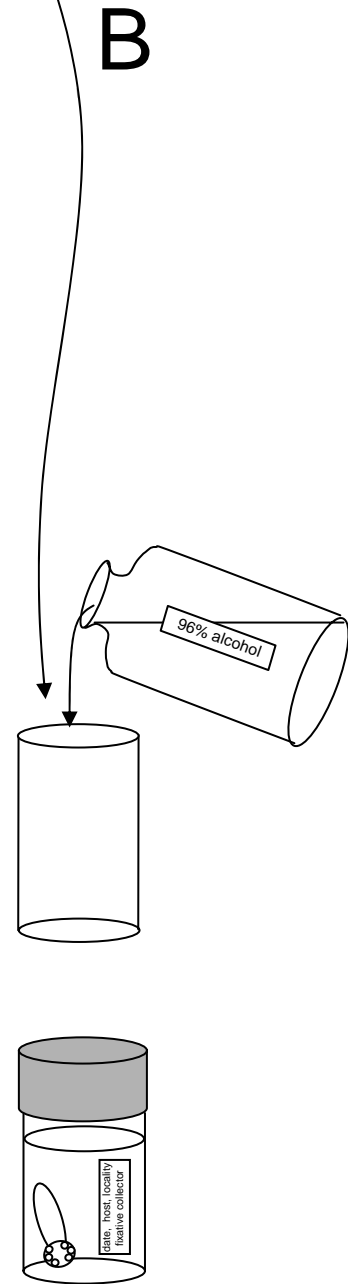
Bladder, mouth and eyes of terrapin



Bladder with parasites



Fixing material for microscopic studies and identification



For molecular studies